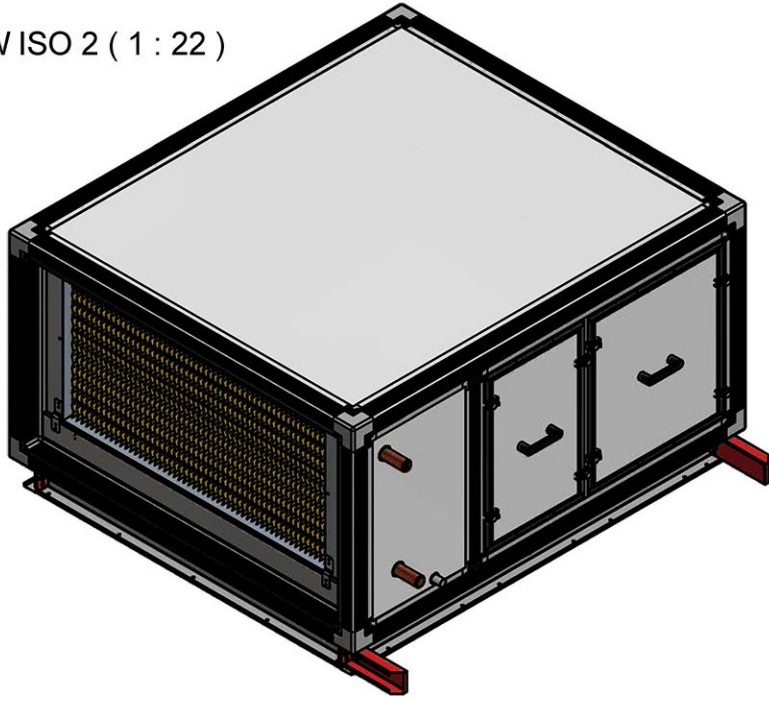
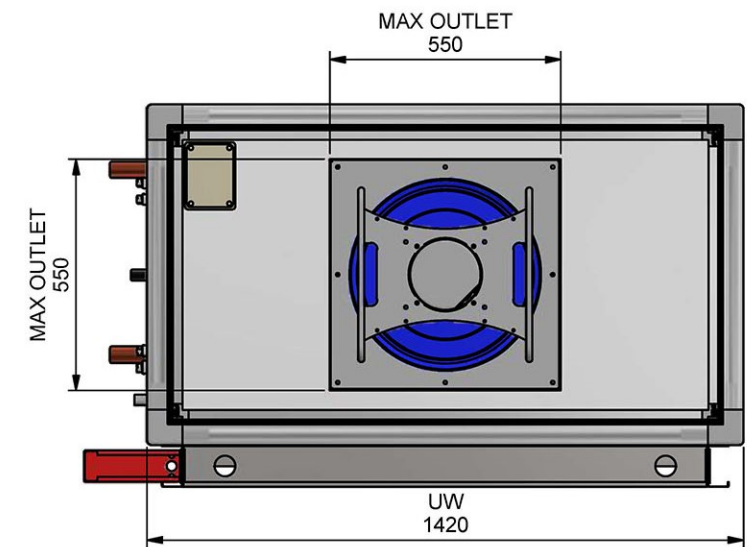
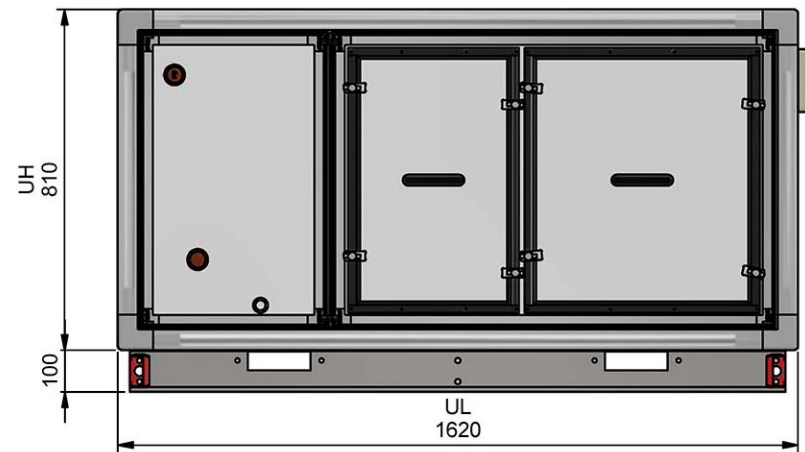
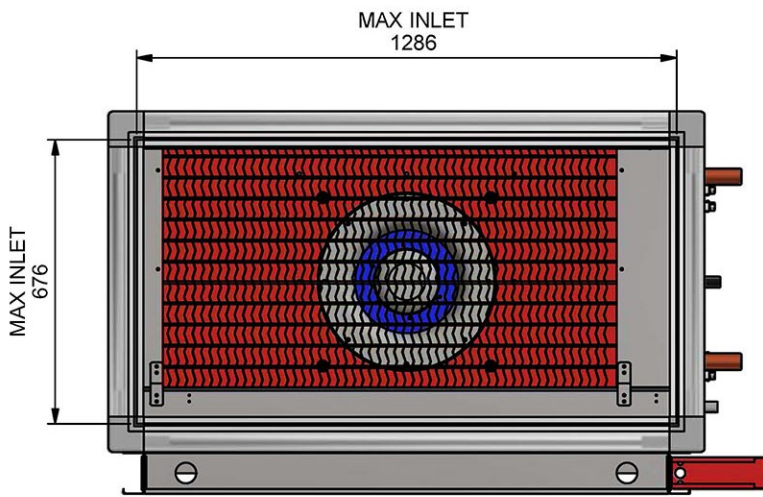
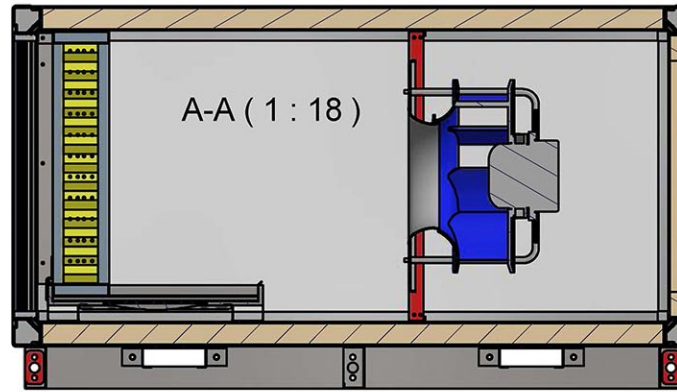
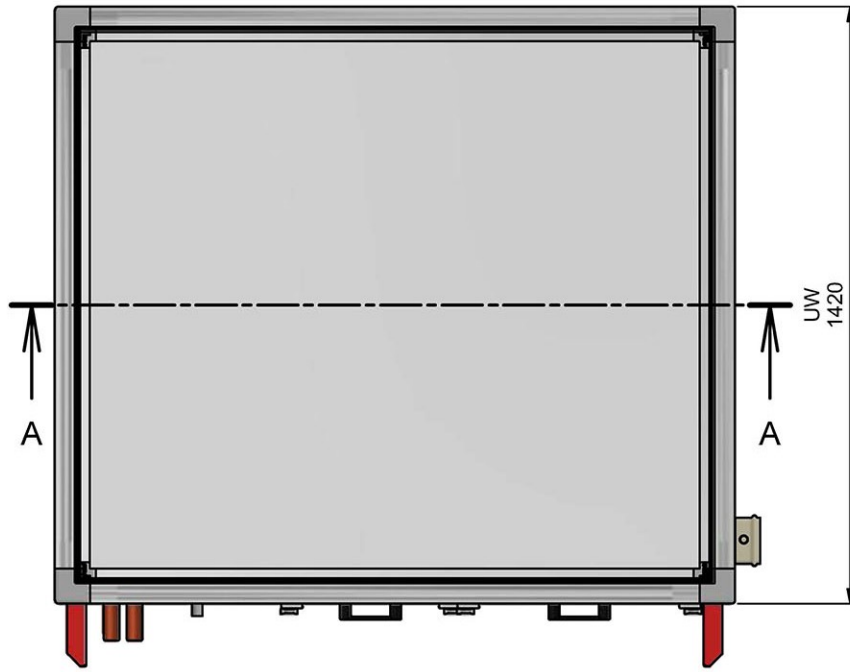
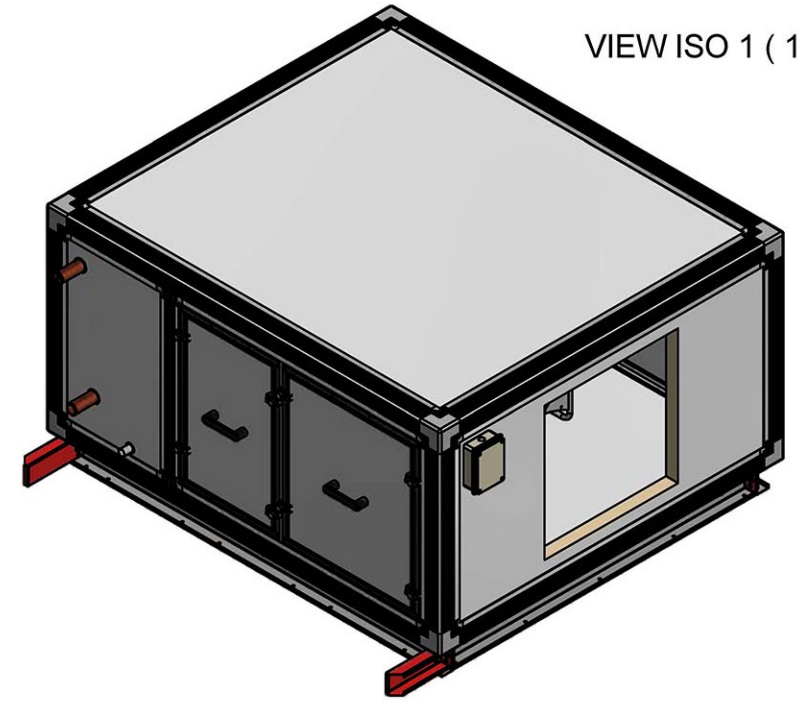


VIEW ISO 2 (1 : 22)



VIEW ISO 1 (1 : 22)



MAX S/A (HORIZONTAL) : 570 X 910MM
 MAX S/A (VERTICAL) : 480 X 1195MM

UNLESS OTHERWISE SPECIFIED
 DIMENSIONS ARE IN MILLIMETERS
 BREAK AND DEBUR ALL SHARP EDGES

3rd ANGLE
 PROJECTION

DO NOT SCALE DRAWING

Rev	By	Date	Description
/00	Toh	21/03/2017	Initial Released

Fantech Pty Ltd. © A.C.N. 005 434 024
 45 NESTOR DRIVE, MEADOWBROOK, QUEENSLAND, AUSTRALIA, 4131
 TELEPHONE: (07) 32 999 888 FACSIMILE: (07) 32 999 800

General Layout
ME2B-H204/G3-FCO,
GR40(115514)x1

DRAWING NO: 868-8010-1204 REV: /00 SCALE: 1 : 18 SIZE: A3